



# HP P600 DataSheet



## Contents

1.0	Overview .....	2
2.0	Performance Detail .....	3
3.0	Power consumption.....	3
4.0	Order Information.....	4
5.0	Environmental Conditions.....	5
6.0	Reliability Specifications.....	6
7.0	Mechanical Information.....	7
8.0	Certifications and Declarations .....	10
9.0	Revision History.....	10



## 1.0 Overview

HP P600 with 4 capacity sizes: 250GB 、 500GB、 1TB and 2TB.

With the USB 3.1 Gen2 interface, the sequential read speed up to 560MB/s and sequential write speed up to 500MB/s, can be connected with iMac, iBook, Thinkpad. all in-one computers Cellphone etc which host have USB Type-C interface

As compared to standard portable SSD, HP P600 Series offers these key features:

- High performance
- Fashionable cosmetic
- Portable
- High reliability
- Enhanced ruggedness
- High data Integrity and Security



## 2.0 Performance Detail

Capacity \ Performance	250GB	500GB	1TB	2TB
Random 4 KB reads	80K IOPS	80K IOPS	90K IOPS	85K IOPS
Random 4 KB writes	70 K IOPS	60K IOPS	70K IOPS	65K IOPS
Sustained sequential read	560M/s	560M/s	560M/s	560M/s
Sustained sequential write	470M/s	490M/s	500M/s	500M/s

## 3.0. Power Consumption

Idle: 0.53w

Average: 1.6w

Maximum: 2.9w



## 4.0 Order Information

Country/Region	PN	Capacity
APJ	3XJ06AA#UUF	250GB
	3XJ07AA#UUF	500GB
	3XJ08AA#UUF	1TB
	4ND70AA#UUF	2TB
NA	3XJ06AA#ABC	250GB
	3XJ07AA#ABC	500GB
	3XJ08AA#ABC	1TB
	4ND70AA#ABC	2TB
EURO	3XJ06AA#ABB	250GB
	3XJ07AA#ABB	500GB
	3XJ08AA#ABB	1TB
	4ND70AA#ABB	2TB
LA	3XJ06AA#ABL	250GB
	3XJ07AA#ABL	500GB
	3XJ08AA#ABL	1TB
	4ND70AA#ABL	2TB



## 5.0 Environmental Conditions

Temperature	Range
Ambient Temperature	
Operating	0 to 70 °C
Non-operating	-40 to 85 °C
Temperature Gradient(1)	
Operating	20 (Typical) °C/hr
Non-operating	30 (Typical) °C/hr
Humidity	
Operating	5 - 95 %
Non-operating	5 - 95 %
Shock, Vibration, Acoustics	Range
Shock(2)	
Operating	100 G/6 msec
Non-operating	100 G/6 msec
Vibration(3)	
Operating	3.1 GRMS (2-500 Hz)
Non-operating	3.1 GRMS (2-500 Hz)

### Notes:

(1). Temperature gradient measured without condensation.

(2). Shock specifications assume the SSD is mounted securely with the input vibration applied to the drive-mounting screws. Stimulus may be applied in the X, Y or Z axis. Shock specification is measured using root mean square (RMS) value.

(3). Vibration specifications assume the SSD is mounted securely with the input vibration applied to the drive-mounting screws.

Stimulus may be applied in the X, Y or Z axis. The measured specification is in root mean squared form. Vibration specification is measured using RMS value.



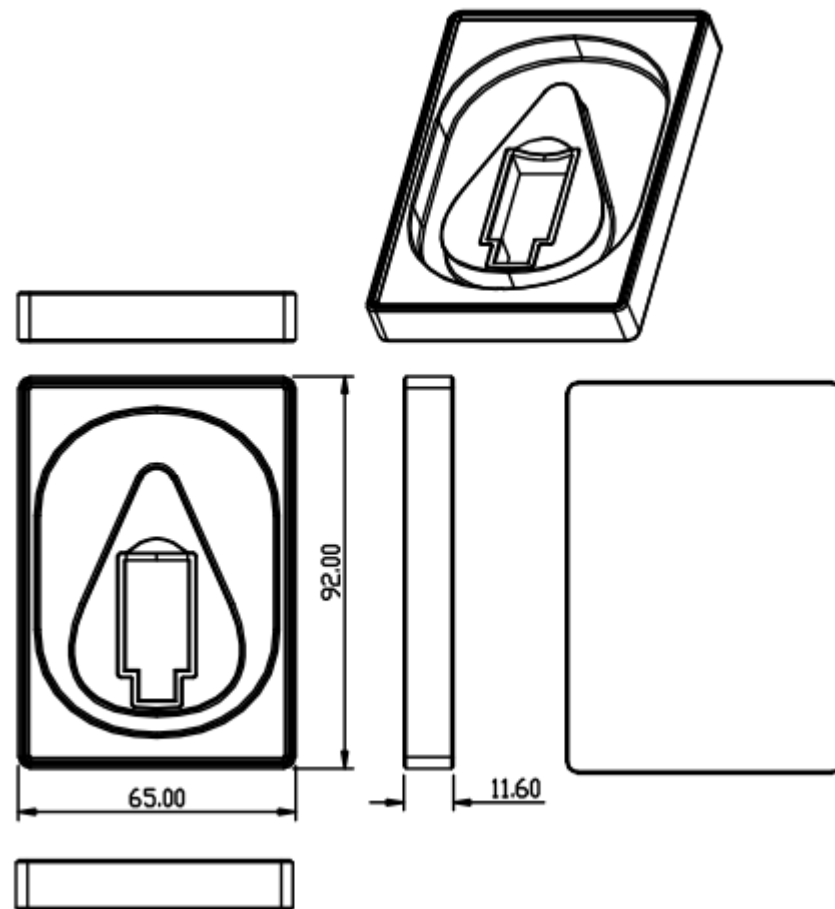
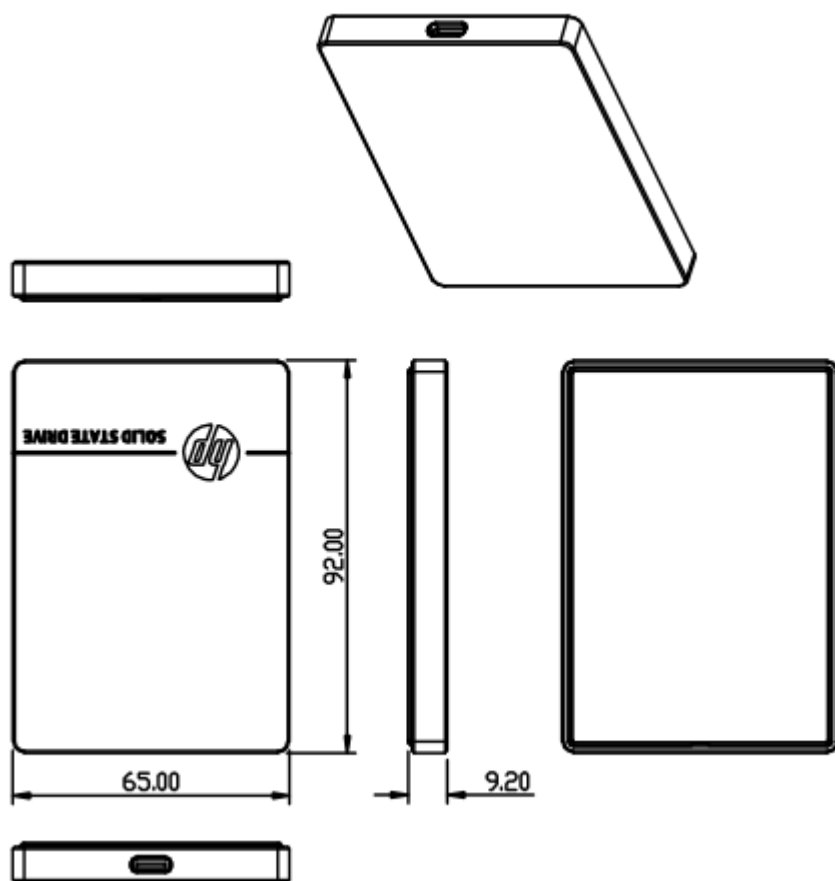
## 6.0 Reliability Specifications

Parameter	Value
<p>Mean Time Between Failure (MTBF)</p> <p>Mean time between failures (MTBFs) for the P600 can be predicted based on the component reliability data using the methods referenced in the Telcordia SR-332 reliability prediction procedures for electronic equipment.</p>	2,000,000 hours
<p>Minimum Useful Life</p> <p>HP P600 will have a minimum of three years of useful life under typical client workloads with up to 80% of the full capacity of host writes per day.</p>	3 years



## 7.0 Mechanical Information

Dimension unit: mm

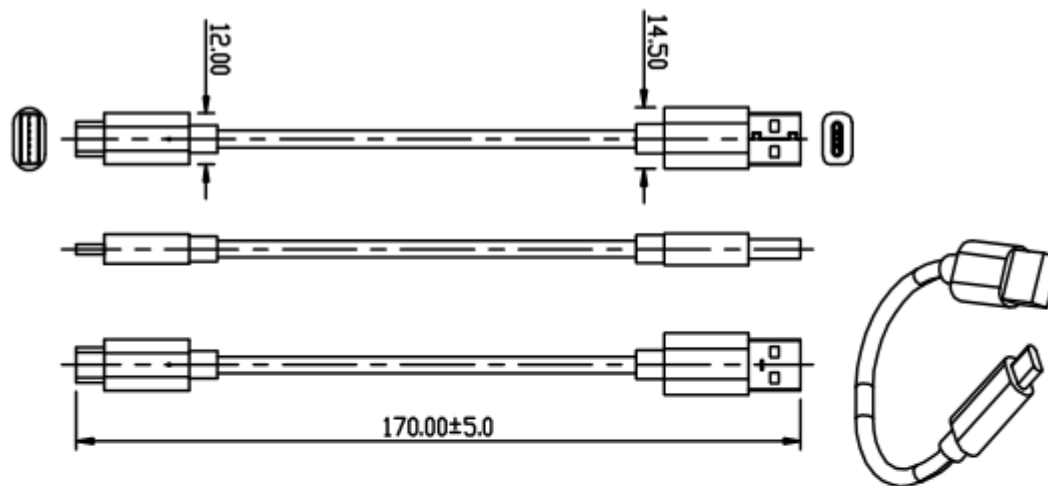




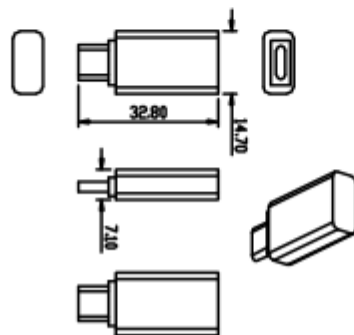


## 7.0 Mechanical Information

Dimension unit: mm



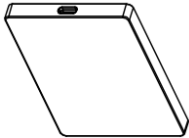



Weight: 9.5g



Weight: 5g



## 7.0 Mechanical Information

Item	Picture	Weight (g)
Main Device	 A perspective view of a small, rectangular, white electronic device, possibly a smart card or a small PDA, with a small black sensor or camera lens at the top edge.	58
Bottomshell	 A perspective view of a rectangular, white plastic bottom shell for the device, showing a circular cutout in the center with a small protrusion.	35
USB Cable	 A perspective view of a long, thin, white USB cable with a standard USB-A connector on one end and a smaller connector on the other.	9.5
Connector	 A perspective view of a small, rectangular, white plastic connector component with a small protrusion on one side.	5



## 8.0 Certifications and Declarations

Below table describes the Device Certifications supported by HP P600.

Certification	Description
CE Compliant	Indicates conformity with the essential health and safety requirements set out in European Directives Low Voltage Directive and EMC Directive.
UL Certified	Underwriters Laboratories, Inc. Component Recognition UL60950-1.
RoHS Compliant	Restriction of Hazardous Substance Directive

## 9.0 Revision History

Date	Revision	Description
Mar 2018	V1.0	Initial release
May 2018	V2.0	Adding the device' weight
July 2018	V3.0	Adding 2TB and Order information